

533002 CST  
533003 CST

inlet control group



altecnic

# 533002 CST & 533003 CST inlet control group



## Unvented Hot Water

Unvented hot water systems must comply with "The Building Regulations 2010 - Sanitation, hot water safety and water efficiency" section G3.

Unvented hot water systems provide domestic hot water at mains pressure.

This provides a forceful stream of hot water for showers, bath fillers and for general hot water usage, with the added benefit of the cylinder being very well insulated, with reduced times to heat the water in the cylinder.

Unvented systems rely upon a number of components to allow them to operate efficiently and safely, which are available from Altecnic.

## Inlet Control Group

Water entering the cylinder is no longer stored in large tanks located within the loft space but is fed directly from the cold water mains.

In doing so any pressure fluctuations in mains pressure needs to be controlled.

The Altecnic 533002 CST and 533003 CST inlet control groups in a monobloc manifold contain;

- pressure reducing valve to limit the pressure of the cold water supplied to the cylinder.
- safety relief valve which releases pressure in the event of a component failure.
- check valve to prevent backflow to the mains.
- take-off connection
- connection for the pressure/temperature gauge.
- connection for an expansion vessel.

## Technical Data

Max. working pressure:	12 bar (static)
Max. temperature:	85°C
WRAS approved product:	Yes
Safety relief valve setting:	
533002 CST	3.0 bar
533003 CST	3.5 bar
Pressure reducing valve setting:	
533002 CST	6.0 bar
533003 CST	6.0 bar

## E & O.E

Altecnic Ltd Mustang Drive, Stafford, Staffordshire ST16 1GW

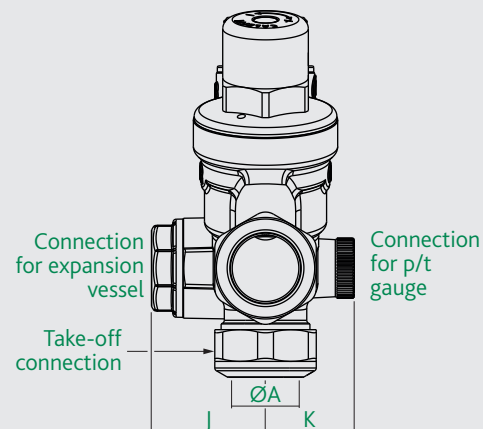
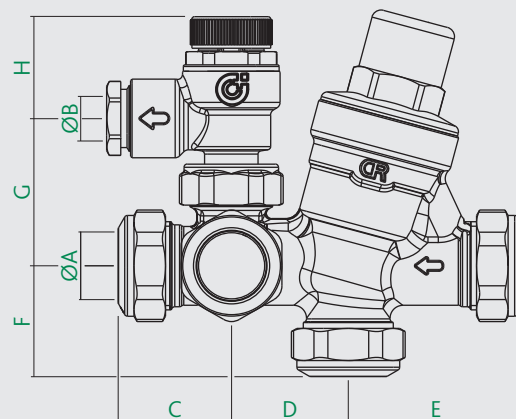
T: +44 (0)1785 218200 E: sales@altecnic.co.uk

Registered in England No: 2095101

altecnic.co.uk

AL 240 06-01-16

## Dimensions



Prod Code	A	B	C	D	E
533002 CST	22	15	55.5	37.5	36
533003 CST					

Prod Code	F	G	H	J	K
533002 CST	34.5	47	32.5	36	24
533003 CST					